

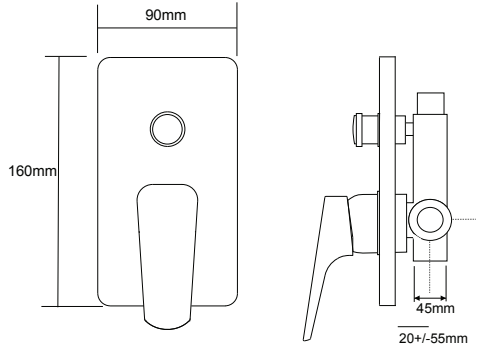


ECLIPSE Chrome Diverter Shower Mixer VECL035



TECHNICAL DETAILS

1/2" (15mm) Inlet
Mains Pressure Only
Max. Pressure 500kpa
Min. Pressure 150kpa
Max. Temp 65deg.C
10 Year Warranty
Watermark Certified



FINISH	CODE
CHROME	VECL035