

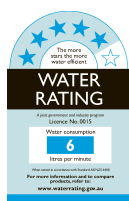
**Product:** KLUDI BOZZ single lever basin mixer DN 15

**Ref.:** 382900576Z

**Product description**

single lever basin mixer DN 15  
 solid lever  
 single hole mounted  
 flow level 6,0 l/min  
 PCA Cache aerator M 16,5 x l  
 ceramic cartridge with hot water safety device  
 rapid installation set  
 copper dezincification resistance  
 flexible high pressure supply tubes G 1/2  
 noise group I  
 Wels 5 Star mixer

Finishes:  
 05 chrome



**Product picture**

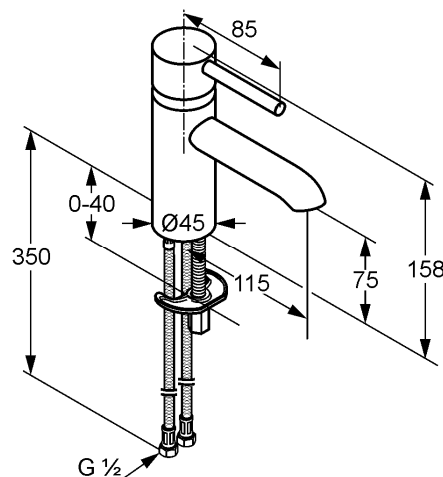


**Advertisement**

- \* KLUDI GmbH & Co KG KLUDI BOZZ item no. 382900576Z
- \*\* ceramic cartridge with hot water safety device, DIN- EN 817, AS/NZS 3718:2005
- \*\*\* brass, AS/NZS 2345

single lever basin mixer, manufacturer KLUDI GmbH & Co KG KLUDI BOZZ single lever basin mixer item no. 382900576Z, DN 15, chrome plated brass, ceramic cartridge with hot water safety device Ø 35 mm, solid lever, noise level DIN EN 4109 group I, type: single lever basin mixer DN 15, flow level 6,0 l/min, PCA Cache aerator M 16,5 X l, flexible high pressure supply tubes 1/2 inch with WRAS/SAI-Global with metal body length 350 mm, nozzle projection 115 mm, nozzle height 75 mm, lever projection 85 mm, rapid installation set, overall length 158 mm, for pressure type water heater, continuous line heater, in accordance to AS/NZS 6400 5 Star mixer / AS/ NZS 3718 : 2005, PN 10,

**Dimensional drawing**



**Flow rate diagram**

